

# D-SUB FEMALE Solder type Machine Pin

**ROHS COMPLIANT**

## MATERIALS AND FINISH

SHELL: STEEL MATERIAL, FRONT SHELL NICKEL FINISHED  
 BACK SHELL NICKEL FINISHED  
 INSULATOR: PBT THERMOPLASTIC, 30% GLASS  
 FILLED, UL 94V-0 RATED, WHITE COLOR  
 CONTACT MATERIAL: BRASS  
 CONTACT FINISH: FULL 2u" GOLD

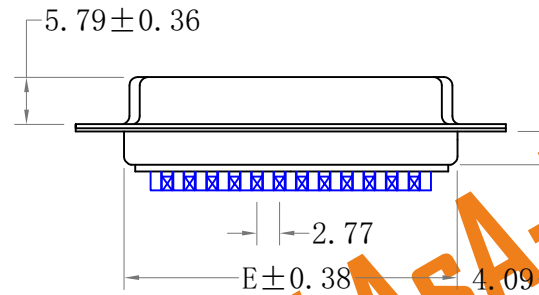
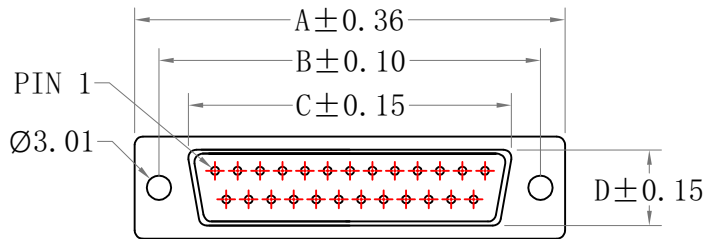
## ELECTRICAL CHARACTERISTICS

CONTACT CURRENT RATING : 5.0 AMPS  
 CONTACT RESISTANCE : 30 MILLIOHMS MAX.  
 DIELECTRIC WITHSTANDING VOLTAGE : 1000 V AC MIN  
 INSULATION RESISTANCE : 5000 MEGAOHMS MIN  
 TEMPERATURE RATING : -55°C ~ +105°C

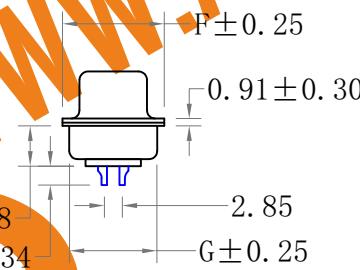
## Ordering Code:

MDB01 - F - X - X - X - X  
 ① ② ③ ④ ⑤ ⑥

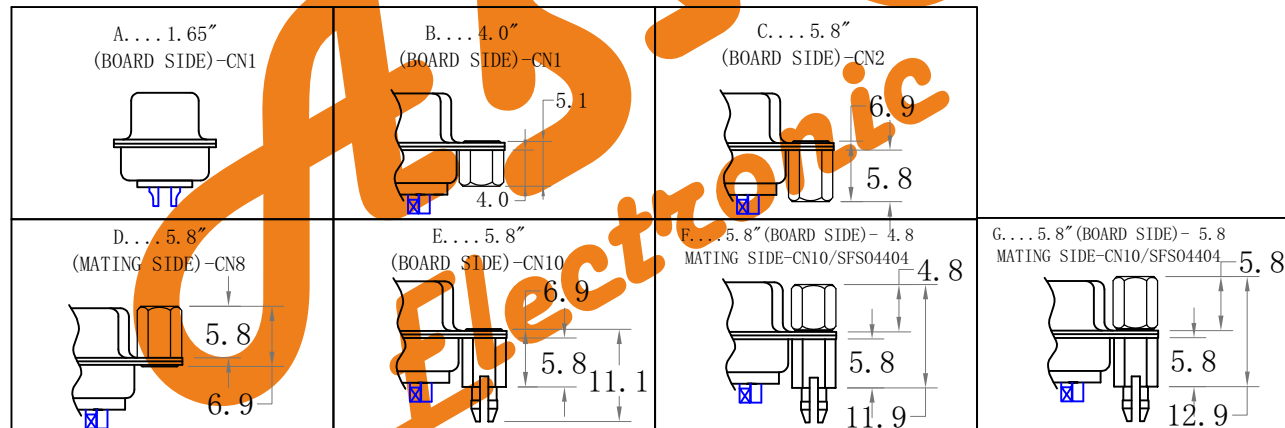
- ① MDB Series
- ② Contact Type:  
M: Female
- ③ Contact NO. :  
09=09Pin 15=15Pin  
25=25Pin 37=37Pin  
50=50Pin
- ④ Mounting Option:  
A: NOHARDWARE  
B: 4.0" CLINCH NUT (BOARD SIDE)  
C: 5.8" CLINCH NUT (BOARD SIDE)  
D: 5.8" CLINCH NUT (MOUNTING SIDE)  
E: 5.8" 4-40 BOARD LOCK  
F: 5.8" BOARD LOCK, BOARD SIDE  
4.80" SCREW LOCK, MATING SIDE  
G: 5.8" BOARD LOCK, BOARD SIDE  
5.80" SCREW LOCK, MATING SIDE
- ⑤ Insulation Color Code:  
B: Black G: Grey  
W: White L: Blue
- ⑥ Contact Plating  
T: Tin plated  
S: Selective Gold  
G0: Gold flash G1: 3u" Gold  
G2: 5u" Gold G3: 10u" Gold  
G4: 15u" Gold G5: 30u" Gold



DIMENSIONS							
No. OF PINS	A	B	C	D	E	F	G
9	30.80	24.99	17.00	8.40	19.20	12.60	10.90
15	39.15	33.32	25.30	8.40	27.51	12.60	10.90
25	53.04	47.04	39.00	8.40	41.40	12.60	10.90
37	69.32	63.50	55.40	8.40	57.81	12.60	10.90
50	66.93	61.11	52.80	11.10	55.42	15.20	13.60



ALL CLINCH-NUTS ARE 4-40 INTERNAL THREADS



NOT: 4-40 FEMALE SCREW LOCK IS REMOVABLE  
 TOLERANCE: ALL DIMENSIONS ARE ±0.25

Unless Otherwise specified tolerance  
 X.±0.35  
 X.X±0.25  
 X.XX±0.20  
 X.XXX±0.15

**AsA** [WWW.AsA-Elec.com](http://WWW.AsA-Elec.com)  
**Electronic**  
**AsA Electronic Co.**

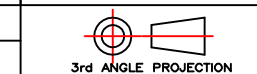
SCALE: 1:1 UNIT: mm

Tel : (+98) 21 66 73 56 82 Mob : (+98) 912 03 161 02

DRAWN: junfon H  
 CHECKED: YANG

TITLE:  
 D-SUB FEMALE Solder type Machine Pin

12/4/27  
 DATE



DRAWING NO: MDB01-FXXXXX  
 PRODUCT NO: MDB01-FXXXXX